



Peelers Vegetable Peeler, 10 kg - Abrasive Plate

ITEM # _____

MODEL # _____

NAME # _____

SIS # _____

AIA # _____



- 603509 (DT10E1)** 10 kg vegetable peeler. Abrasive plate
- 603510 (DT10E324)** 10 kg vegetable peeler. Abrasive plate

Short Form Specification

Item No. _____

Constructed in stainless steel with a transparent lid in special high resistant plastic. The removable rotating plate is covered with a removable rotating plate covered in very resistant abrasive material (silicon carbide). Flat and waterproof (IP55) control panel with programmable timer and low voltage level. An interlocking safety magnetic devices will stop the machine from operating when the lid or unloading door is opened. Removable water jet device is fitted as standard to facilitate cleaning. Supplied with abrasive plate.

Main Features

- Transparent lid in damage-resistant plastic material allows visibility during peeling cycle.
- Supplied with:
-abrasive plate
- Removable rotating plate covered in very resistant abrasive material (silicon carbide).
- Peels are reduced to small pieces to facilitate drainage process.
- Pulse function to control the unloading operation.
- Removable water inlet, clipped to the cover, designed to serve as a spray to clean the machine.
- Timer with countdown display.
- Magnetic detectors will stop the machine from operating when the lid and/or door are opened.
- Suitable for 50-200 meals per service.

Construction

- Complete stainless steel construction.
- IP55 waterproof touch button control panel.
- Transparent BPA free cover incorporates a magnetic safety system which stops the machine if lid is not properly closed.

Included Accessories

- 1 of Abrasive plate for T10 or PNC 653203 T15

Optional Accessories

- Brushing plate for T10 or T15 PNC 653058
(not for models with abrasive cylinder)
- Abrasive plate for small onions, shallots and garlic T10 or T15, 388 mm diam.(not for models with abrasive cylinder) PNC 653184
- Abrasive plate for T10 or T15 PNC 653203
- Knife plate for 10 and 15 kg vegetable peelers (not for models with abrasive cylinder) PNC 653204
- Abrasive plate for large onions T10 and T15 (not for models with abrasive cylinder) PNC 653205
- Drying basket for T10 PNC 653208

APPROVAL: _____



Peelers Vegetable Peeler, 10 kg - Abrasive Plate

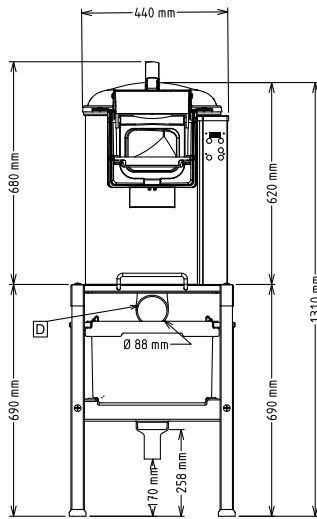
- Stainless steel seashell plate for PNC 653620
10/15 kg vegetable peelers (not
for models with abrasive
cylinder)
- Filter table with sliding shelf, PNC 653783
pre-assembled
- Filter table with sliding shelf PNC 653784



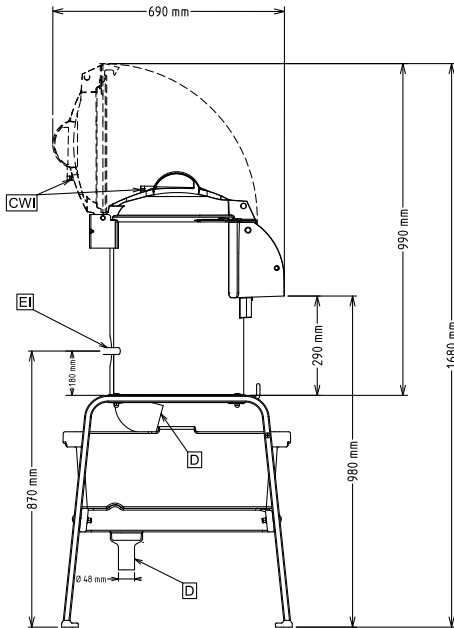
Peelers
Vegetable Peeler, 10 kg - Abrasive Plate
The company reserves the right to make modifications to the products
without prior notice. All information correct at time of printing.

2024.04.24

Front

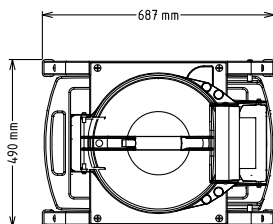


Side



- CWI** = Cold Water inlet 1
(cleaning)
D = Drain
EI = Electrical inlet
(power)

Top



Electric

Supply voltage:

603509 (DT10E1)

220-240 V/1N ph/50/60 Hz

200-240/380-440 V/3
ph/50/60 Hz

603510 (DT10E324)

Electrical power max.:

0.37 kW

Total Watts:

0.37 kW

Capacity:

Performance (up to):

160 kg/hour

Capacity:

ISO 9001; ISO 14001 kg

Key Information:

External dimensions,

Width:

440 mm

External dimensions,

Depth:

690 mm

External dimensions,

Height:

680 mm

Shipping weight:

603509 (DT10E1)

47 kg

603510 (DT10E324)

45 kg